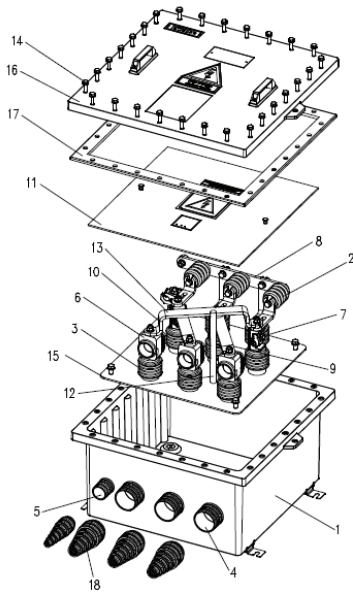


# Fiberglass Reinforced Polyester (FRP) Link Boxes



## DESCRIPTION

Link boxes may be installed in corrosive environments such as offshore and marine applications. The original boxes were developed for metals, but most metals are problematic alternatives for such a harsh environment. Stainless steel provides more corrosion resistance but for long term operations there should be a more reliable alternative.

After long time R&D activities and investments on FRP link boxes, now this type of link boxes is available to be manufactured in EMELEC production line. Raw material for this link boxes is SMC (Sheet Moulding Compound) that has excellent properties. Specially designed molds are used to produce lid and body of link box. Moulding process provides precious products with continuous quality.

Advantages of new generation of EMELEC FRP link boxes:

- Excellent resistance to corrosion (off-shore and marine applications),
  - Excellent UV performance,
  - Excellent chemical resistance,
  - low water absorption,
  - Self-extinguishing flammability,
  - High dielectric Strength,
  - High mechanical strength (tensile, bending and impact strength)
  - Can be used in ambient temperature range of -40°C to 90°C,
  - Light weight
- EMELEC FRP link boxes type tested and fully comply with international standards. IP68 tests as well as heating cycle test (7 cycles immersed in water: heated up to 40°C for 5 hours cooled to ambient temperature) for this link boxes has been performed. This link boxes also can withstand Internal arc and short circuit currents. These features make EMELEC FRP link boxes exclusive compared to other products.

## 16.03.03 LINK BOX SPECIFICATION (TYPE LB.U.CB.3SA.3.1)

IP protection level	IP68
Internal arc	20 kA <sub>rms</sub> -0.1
Short circuit	50kA <sub>rms</sub> -1sec
AC voltage withstand	20 kV <sub>rms</sub> -1min
DC voltage withstand	25 kV <sub>rms</sub> -5min
Lightning voltage withstand	60/40 kV <sub>peak</sub>
Insulation resistance @5kdc (20°C)	>100 GΩ
Operation temperature range	-20°C:90°C
Color	RAL7038
Dimensions	677x677x370 (LxWxH)
Bonding cable weight	95-400 mm <sup>2</sup>
Gland material	62 kg
	FRP