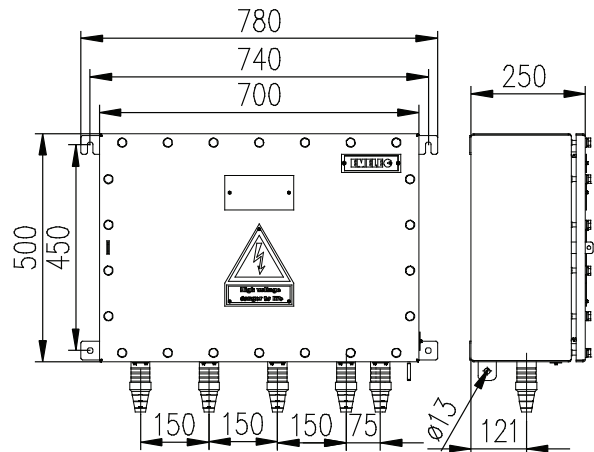


- ① LINK BOX
- ② EARTHING BUS BAR
- ③ FLEXCON
- ④ DISCONNECT LINK BAR
- ⑤ BONDING CABLE



LIST OF MAIN PARTS

Item	Name of parts	Materials
1	CABINET (3mm)	STAINLESS STEEL
2	DISCONNECT LINK BAR (10x40)	TINNED COPPER
3	CABLE FLEXCON	TINNED COPPER
4	SUPPORT INSULATOR	EPOXY
5	GLAND FOR BONDING CABLE	STAINLESS STEEL
6	GLAND FOR EARTHING CABLE	STAINLESS STEEL
7	BUS BAR	TINNED COPPER
8	PROTECTION COVER	PLEXYGlass
9	DISCONNECTABLE EARTHING BAR	TINNED COPPER
10	BOX EARTHING BAR	STAINLESS STEEL
11	DOOR FIXING BOLTS	STAINLESS STEEL
12	PADLOCK FACILITY	STAINLESS STEEL
13	COVER (3 mm)	STAINLESS STEEL

Specifications	
Protection degree	IP68
DC Voltage test	25 kV-5 min.
Short circuit test	50 kA-1 sec.
Internal power arcing	40 kA-0,1 sec.
Impulse voltage between parts	N / A
Impulse voltage against earth	40 kV
*SA rate (Politek-PMSP)	N / A
Bonding cable (Single)	95-400 mm ²
**Inner Core Insulation Dia.(Min.-Max.)	
**Screen Wires Dia.(Min.-Max.)	
**Outer Dia.(Min.-Max.)	Ø17-Ø40
Weight	app. 64 kg.
Volume of Filling compound (optional)	
Colour	RAL 7032

*Indicate, if different SA (SVLs) required...
 **Indicate, if bonding cable different size...

Rev.	Date	Drawn	Check	Apprv.
D				
C				
B				
A				

Earthing Link Box		10.04.08	Rev. 0
FOR WALL TYPE		Drawn : 30.04.2010 / F.C.	
TYPE :LB.W.E.4.1		Approved : 30.04.2010 / S.E.	